



GECKO DEPOT



2022 products & parts catalogue

 **europa edition**

control systems, keypads, pumps,
accessories, parts & more!

for spa distributors, dealers,
tech and trade professionals!





Company Profile	4	Waterproof Audio	
Spa Controls		in.stream 2.....	19
Y series systems.....	5	Spa Sanitizers	
X series systems.....	8	in.clear bromine generator.....	20
CLASS systems.....	10	Chemical products.....	20
Boards		Spa Cables	
Y series.....	6	AMP cables & adaptors.....	21
MSPA.....	10	Aqua-Flo Pumps for Spas	23
Spa Keypads		Flo-Master XP3.....	24
Y & X series keypads and overlays.....	12	Flo-Master XP2e.....	26
M-CLASS keypads and overlays.....	14	Circ-Master HP, CP & XP.....	28
S-CLASS keypads and overlays.....	15	Low Level Configuration	
Spa Remote Control Module		in.yt.....	30
in.touch 2.....	16	in.ye.....	31
Accessories		in.yj.....	32
in.lu.me.....	17	in.xm.....	33
in.mix 300.....	18	in.xe.....	34
in.grid.....	18		

Gecko®, and their respective logos are Registered Trademarks of Gecko Alliance Group.
 All products listed in the catalogue, and their respective logos, are Trademarks of Gecko Alliance Group.

All other product or company names that may be mentioned in this publication are tradenames, trademarks or registered trademarks of their respective owners.

Company Profile



Our company

At Gecko Depot, our mission is to offer the best technical service in the industry and to provide replacement parts immediately. To do this, we keep standard items in stock for online and fax orders. Express delivery is available, and you receive a manufacturer's warranty. Visit us and create your industry professional's account: www.gdeuro.com

Our products

Our electronic spa controls combine innovation and versatility, and work with a wide range of spas, from the simplest to the most complex. Easy to install, with configuration menus accessible from the keypad — our replacement kits are great value, and are sure to be a must-have in the repair truck.

We also manufacture Maelstrom and Aqua-Flo trademark pumps, known for their energy efficiency and their superior hydraulic capacity. Whether you want to reduce your energy consumption without losing out on power, or to gain power without paying a bundle in energy bills, we have a pump for you.

Our service

Gecko Depot strives to offer the highest level of services. Our team of technicians is there to help your company with any questions you may have on our products, our processes or follow up on an order.

Call us toll free:

Europe: **+33 80 50 80 352**, UK: **+44 (0)800 060 8300** from 9:30 to 23:00 CET in English and from 14:30 to 23:00 in French.

Email us: techsupport@geckoal.com



Head office and production plant, Quebec, Canada



Palmera plant, Tijuana, Mexico



Terra plant, Tijuana, Mexico





Y series



Y series
whatever the spa, this is your control system

See Low Level Configuration on page 30, 31 & 32.

in.yt-7
WxHxD: 497 x 368 x 130 mm (19.58" x 14.5" x 5.16")
Weight: 5.5 kg (12 lb)

in.ye-5
WxHxD: 497 x 273 x 126 mm (19.58" x 10.75" x 4.98")
Weight: 4.4 kg (9.7 lb)

in.yj-3
WxHxD: 307 x 187 x 95 mm (11.83" x 7.38" x 3.74")
Weight: 4 kg (9 lb) with heater

- Each pack supports keypad, heater, a light, and configurable relays (3, 5 or 7, depending on model)
- Solid-state water flow detection: No pressure switch to adjust
- IPX5 rated waterproof design
- Preloaded configuration allows fast and easy installation
- in.touch wireless remote module compatible
- Connector: AMP, Quick Connect, JJM adaptor available
- Supports 1, 2 and 3 phase input power (1 or 2 phases on in.yj)
- Standard 3 kW, 2" x 15" flow thru heater (minimum of 75 l/min required)
- Temperature probe is built into the heater to simplify installation
- Freeze and overheat protections
- Self-Diagnostic
- Programmable filter cycles
- Corrosion-free enclosure



Y series product selector: number of configurable outputs defines supported optional accessories

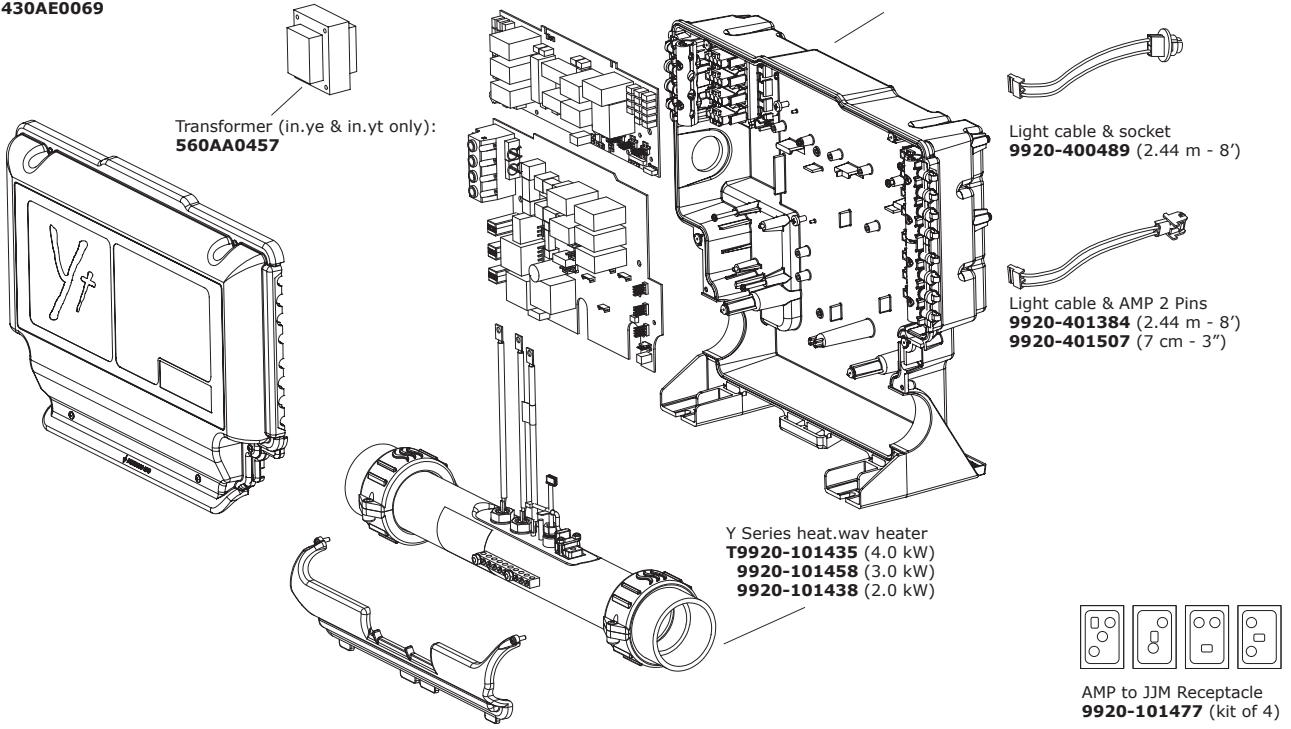
Features	in.yj-3 (3 outputs)	in.ye-5 (5 outputs)	in.yt-7 (7 outputs)	
Model & PN	0612-221040-430	0610-221045-338	0611-221027-349	
Receptacle type	AMP or Quick Connect	AMP or Quick Connect	AMP or Quick Connect	
Optional Accessories	Pump 1	Up to 3 out of the list. Dual speed pumps use 2 outputs	Up to 7 out of the list. Dual speed pumps use 2 outputs	
	Pump 2			
	Pump 3	Up to 5 out of the list. Dual speed pumps use 2 outputs	Up to 7 out of the list. Dual speed pumps use 2 outputs	
	Pump 4			
	Pump 5	Example using 3 outputs: P1-2spd, Ozone	Example using 5 outputs: P1-2spd, P2-1spd, Blower and Ozone	
	Blower			Example using 7 outputs: P1 dual speed, P2 dual speed, P3-1spd, Blower and Ozone
	CP			
Ozone				
Included	Direct outlet	•	•	
	Light	(12 W @ 12 V AC)	(12 W @ 12 V AC)	(12 W @ 12 V AC)
Topside control	Heater (75 l/min minimum water flow required)	3 kW Other available ratings: 1.3kW, 2kW and 4kW	3 kW Other available ratings: 2kW and 4kW	4 kW Other available ratings: 2kW and 4kW
	in.k120 auxiliary panel	•	•	•
	in.k200	•	•	•
	in.k300	•	•	•
	in.k19 - in.k35 - in.k8	•	•	•
	in.k450	•	•	•
	in.k600 ST 5 OP	•	•	•
	in.k600 Graphic	•	•	•
	in.k500 - in.k800	•	•	•
	in.k1000	•	•	•
	in.touch - in.touch 2	•	•	•



Y series exploded view

Fuses, Y Series:
 F4 transformer 0.250 A (in.ye & in.yt only)
430AC0285
 F1, F2 & F3 Pump, Acc. 20 A
430AE0069

Y Series packs:
 in.ye-5: **0610-221045-338**
 in.yt-7: **0611-221027-349**



in.yj exploded view

Fuses in.yj:
 F2, pump & Acc. 32 A
430AE0096
 Pump 2, 20 A
430AE0069

Z bracket in.yj
9917-106758

Bracket in.yj
9917-102121

Self tap screw type B,
 #6 x 1/2", Phillips pan head, ss
282BA0116

in.yj-3-V3-CE-GD1 pack
0612-221040-430

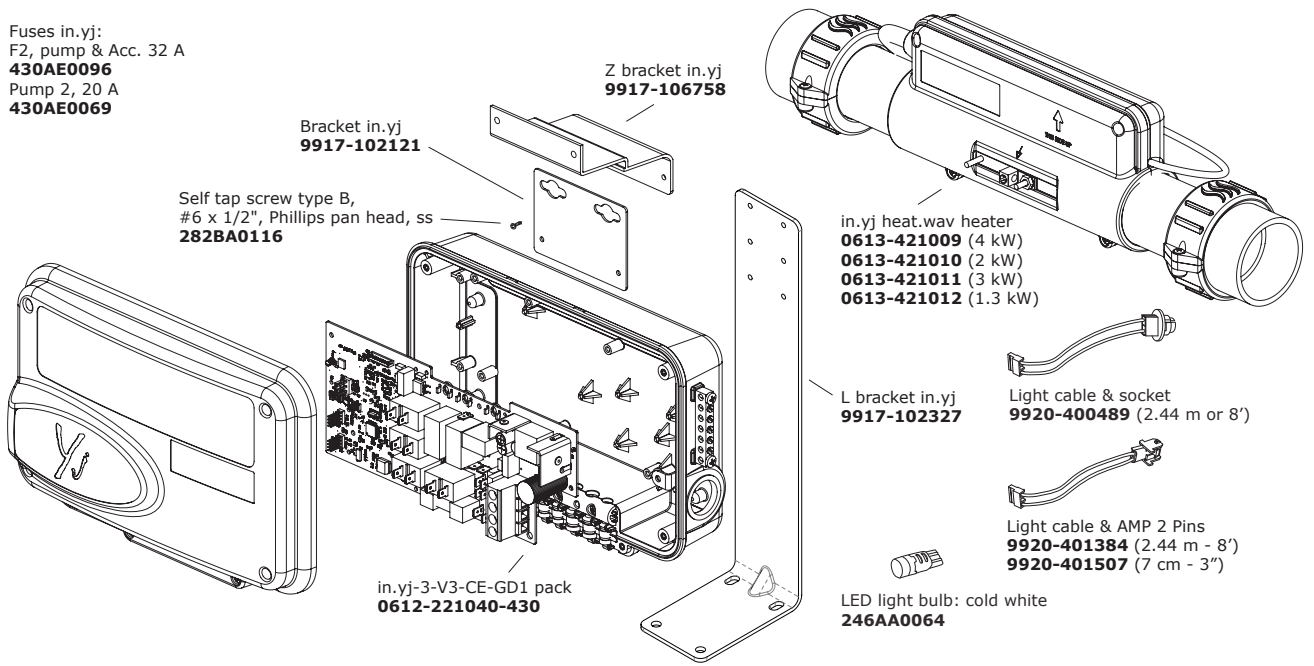
in.yj heat.wav heater
0613-421009 (4 kW)
0613-421010 (2 kW)
0613-421011 (3 kW)
0613-421012 (1.3 kW)

L bracket in.yj
9917-102327

Light cable & socket
9920-400489 (2.44 m or 8')

Light cable & AMP 2 Pins
9920-401384 (2.44 m - 8')
9920-401507 (7 cm - 3")

LED light bulb: cold white
246AA0064





Complete replacement solution

See Low Level Configuration on page 30, 31 & 32.

Code	Description
0610-300007	<p>BDLYE5K450CE: IN.YE-5, IN.K450-30P KEYPAD, CABLES</p> <p>Spa pack: in.ye-5 (0610-221045-338) Keypad: in.k450-30P (0607-005012) Cables: 2 x dual spd AMP cable (95100519) & 2 x single spd AMP cable (95100517) & light (9920-400489 - 9920-401507) Adaptor plate (9917-102123)</p>
0610-300009	<p>BDLYE5K8CE: IN.YE-5, IN.K8-30P KEYPAD, CABLES</p> <p>Spa pack: in.ye-5 (0610-221045-338) Keypad: in.k8-30P (0607-007067) Cables: 2 x dual spd AMP cable (95100519) & 2 x single spd AMP cable (95100517) & light (9920-400489 - 9920-401507) Adaptor plate (9917-102122)</p>
0610-300008	<p>BDLYE5K200CE: IN.YE-5, IN.K200-20P KEYPAD, CABLES</p> <p>Spa pack: in.ye-5 (0610-221045-338) Keypad: in.k200-20P (0607-008002) Cables: 2 x dual spd AMP cable (95100519) & 2 x single spd AMP cable (95100517) & light (9920-400489 - 9920-401507) Adaptor plate (9917-102053)</p>
0612-300003	<p>BDLYJ3K300CE: IN.YJ-3, 2KW HEATER, IN.K300-10P KEYPAD, LIGHT & BRACKET</p> <p>Spa pack: in.yj-3 (0612-221040-430) Heater: 2 kW (0613-421010) Keypad: in.k300-10P (0607-008039) Cables: QC to QC dual speed (95100251), light (9920-400489 - 9920-401507) & white LED bulb (246AA0064) Mounting acc.: adaptor plate (9917-102239) & L bracket (9917-102327)</p>



Universeal

Available on Aqua-Flo by Gecko pumps for spas and hot tubs!
 with features that speak for themselves and benefits that are all yours!

- Less parts for an optimized reliability (5 parts compared to 7 for other seals)
- Superior leak resistance (through less interpret joints than other seals)
- Twice as much sealing surface on impeller shaft than other seals for optimal torque transmission
- Full rubber protection through stainless steel 316 jacket
- Low friction ceramic (silicon ceramic)
- Crimped carbon friction ring for maximized strength



going strongly against the flow
 pumps for small to swim spas



Spa Controls

X series



X series rugged spa pack platform for high-end spas

See Low Level Configuration on page 33 & 34.

- IPX5 waterproof rated
- Versatile pack that can support up to:
 - in.xm2: 5 pumps, blower, circ pump, ozone & stereo outlet
 - in.xe: 2 pumps, blower, Ozone or circ pump & stereo outlet
- Preloaded configurations allow fast and easy installation
- Large terminal block for easier electrical installation
- Supports 1, 2 and 3 phase input power (in.xe is 1 or 2 phase only)
- Standard 3 kW, 2" x 15" flow thru heater (minimum of 75 l/min required)
- Programmable filter cycles
- Self-diagnostic
- Solid state dry-fire protection
- Kinetic heat, freeze and overheat protections
- Supports high-end & auxiliary topsides

in.xe
 WxHxD: 490 x 298 x 136 mm (19.58" x 11.75" x 5.1")
 Weight: 4.76 kg (10.5 lb)

in.xm2
 WxHxD: 451 x 253 x 101 mm (17.8" x 10" x 4")
 Weight: 3.4 kg (7.6 lb)



in.touch 2 ready!

X series product selector

Features		in.xe	in.xm2
Order info	Model & PN	0602-221047	0601-221105
	Receptacle type	in.link	in.link
Pumps	Pump 1	1 or 2 spd	1 or 2* spd
	Pump 2	1 spd	1 or 2* spd
	Pump 3		1 spd
	Pump 4		1 spd
	Pump 5		1 spd
Accessories	Blower	2 accessories out of them: Blower & Ozone or Blower & CP or CP & Ozone	•
	CP		•
	Ozone		•
	Direct outlet	•	•
	Light (12 W @ 12 V AC)	•	•
Heater (75 l/min water flow required)		3.0 kW	Sold separately: 0603-421005 in.therm 3.8 kW 0603-421003 in.therm 2.0 kW
Topside control	in.k100 auxiliary panel		•
	in.k120 auxiliary panel	•	•
	in.k200	•	
	in.k300		
	in.k19 - in.k35	•	
	in.k450 - in.k8	•	•
	in.k600 ST 5 OP	•	•
	in.k600 Graphic		•
	in.k500 - in.k800 - in.k1000	•	•
in.touch - in.touch 2	•	•	

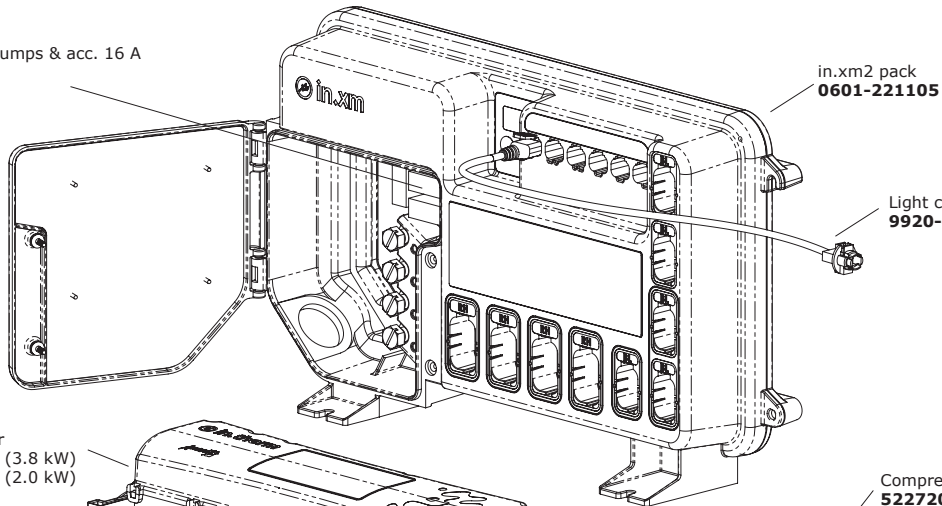
* Allowed Current Draw is 7 AMP per pump on 4 & 5 pump systems. Pump 1 and 2 low speed relays can be used to control 5-single speed pump systems. The in.xm2 replaces the in.xm, and retains compatibility.



X series

in.xm exploded view

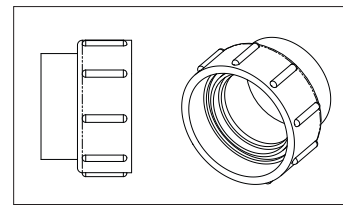
Fuses:
F1, F2 & 3, pumps & acc. 16 A
430AE0051



in.therm heater
0603-421005 (3.8 kW)
0603-421003 (2.0 kW)

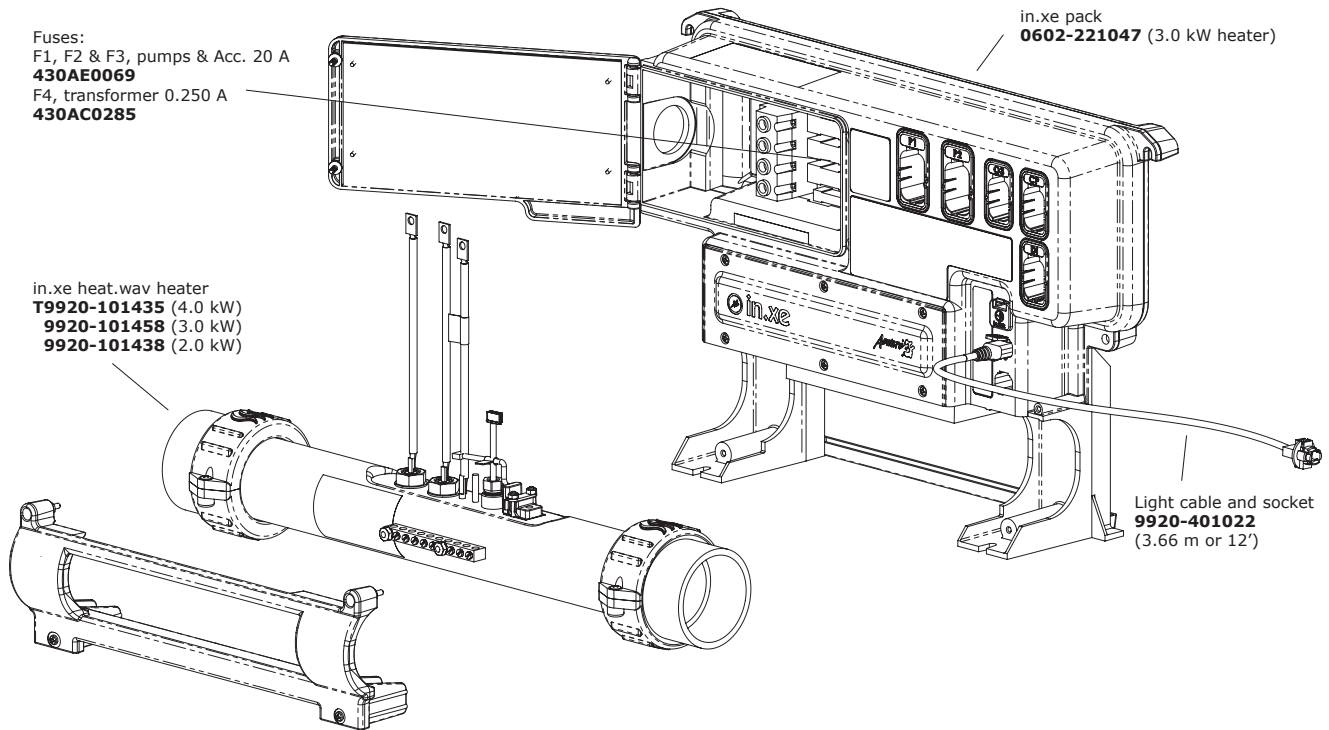
Compression fittings 2"
52272000 (Bag of 2)

Mounting bracket (kit of 2)
9920-101464



in.xe exploded view

Fuses:
F1, F2 & F3, pumps & Acc. 20 A
430AE0069
F4, transformer 0.250 A
430AC0285



in.xe heat.wav heater
T9920-101435 (4.0 kW)
9920-101458 (3.0 kW)
9920-101438 (2.0 kW)

in.xe pack
0602-221047 (3.0 kW heater)

Light cable and socket
9920-401022
(3.66 m or 12')



- Water Overheat and Smart Winter Freeze protection
- 2" x 15", 2.0 kW electric heater
- Pressure switch based dry-fire protection
- Programmable filter cycles
- Self-diagnostic
- JJM receptacles

M-CLASS

- Supports up to 5 pumps, blower, ozone and optional circ pump
- Board replacement available
- Supports Auxiliary topside TSC-3
- 1, 2 or 3 phase compatible

CLASS series product selector

Features		M-CLASS
Order info	Model & PN (receptacle type)	Replacement board only see 0201-300046
Pumps	Pump 1	1 or 2 spd*
	Pump 2	1 or 2 spd*
	Pump 3	1 spd*
Accessories	Blower	multi-speed*
	CP	•*
	Ozone	•
	Direct outlet	•
	Light (12 W @ 12 V AC)	•*
	Heater	3.6 kW
Topside control	TSC-9	
	TSC-18	
	TSC-19	
	TSC-35	
	TSC-8 (8 or 10 keys)	•**
	TSC-4 (8 or 10 keys)	•**
Jumper configuration	JMP 1	Current Mode 1Phase, 1 x 32 A / 3 Phase, 3 x 16 A
	JMP 2	Keypad: nbr of keys 10 btns / 8 btns
	JMP 3	Keypad type TSC-4 (icons in screen) / TSC-8
	JMP 4	Keypad orientation TSC-47 (reverse) / TSC-8 (Standard)

* Optional: 20 sec. long press on Economy or ON/OFF key will put the system in programming mode.

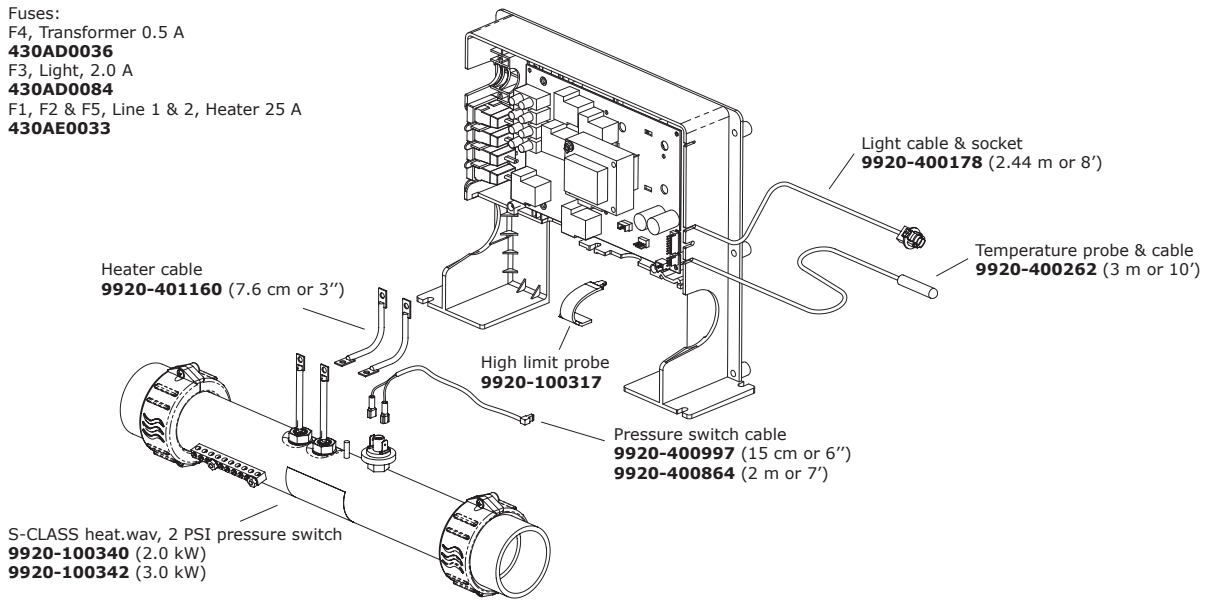
** 10 keys topside is mandatory to control 3 pump systems.



S-CLASS & M-CLASS

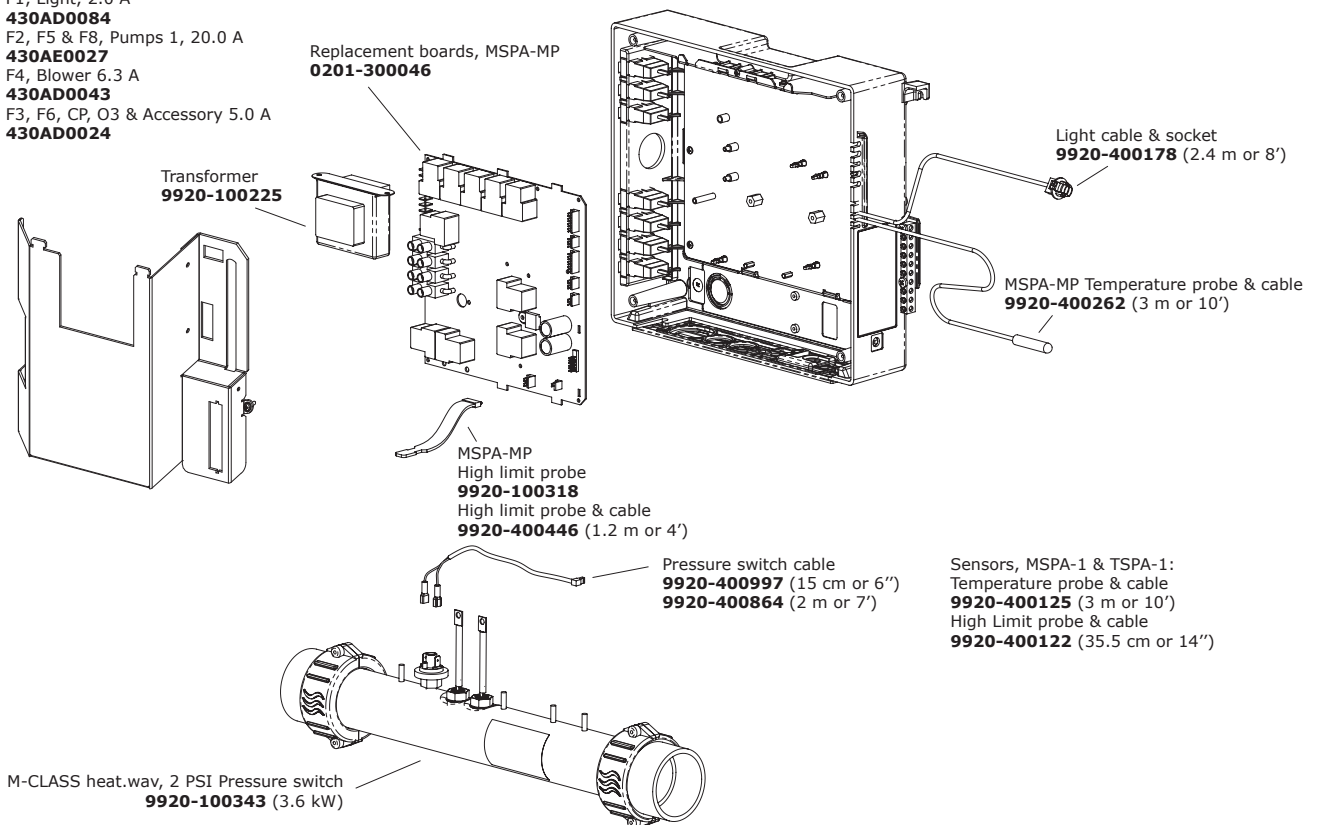
S-CLASS exploded view

Fuses:
 F4, Transformer 0.5 A
430AD0036
 F3, Light, 2.0 A
430AD0084
 F1, F2 & F5, Line 1 & 2, Heater 25 A
430AE0033



M-CLASS exploded view

Fuses, MSPA-MP:
 F9, transformer 0.630 A
430AD0103
 F1, Light, 2.0 A
430AD0084
 F2, F5 & F8, Pumps 1, 20.0 A
430AE0027
 F4, Blower 6.3 A
430AD0043
 F3, F6, CP, O3 & Accessory 5.0 A
430AD0024



Spa Key pads

Y and X series



Code **0607-005033**

IN.K1000-BLACK-GE1

Includes: in.k1000 color keypad with touch screen
Dimensions: 19 x 13 cm (7-1/2" x 5-1/4")
Cord length: 3 m (10')
Compatible with: Y and X Series systems
Installation: MUST be installed on the OUTSIDE edge of the hot tub



Code **0607-008087**

IN.K1001-CLEAR-GE1

Includes: in.k1001 color keypad with touch screen
Dimensions: 15.4 x 9.8 cm (6-3/16" x 3-7/8")
Cord length: 3 m (10')
Compatible with: Y and X Series systems
Installation: MUST be installed on the OUTSIDE edge of the hot tub



Code **0607-008030**

IN.K800-CLEAR AND OVERLAY GE1

Includes: in.k800 color keypad and overlay (9916-101480)
10 buttons: Settings/Mode/P1/P2/P3/AUX1/AUX2/Light/Up/Down
Dimensions: 22.2 x 10.8 cm (8-3/4" x 4-1/4")
Cord length: 3 m (10')
Compatible with: Y and X Series systems
Installation: MUST be installed on the OUTSIDE edge of the hot tub



Code **0607-008033**

IN.K500-CLEAR AND OVERLAY GE1

Includes: in.k500 color keypad and overlay (9916-101495)
7 buttons: Settings/Light/Mode/Pump 1/Pump 2/Up/Down
Dimensions: 18.2 x 8.5 cm (7-1/8" x 3-3/8")
Cord length: 3 m (10')
Compatible with: Y and X Series systems
Installation: MUST be installed on the OUTSIDE edge of the hot tub.



Code **0607-008064**

IN.K600-50P AND OVERLAY (BDLK60050P)

Includes: in.k600 keypad with streamlined interface (0607-008064), overlay (9916-101382)
11 buttons: Light/Pump 1 to 5/OK+/-/Prog/Power
Dimensions: 22.2 x 10.8 cm (8-3/4" x 4-1/4")
Cord length: 3 m (10')
Compatible with: in.xe, in.xm, in.xm2 & Y Series systems



Code **0607-005012** **0607-005017** (7,62 m - 25' cable)

IN.K450-30P AND OVERLAY (BDLK45030P)

Includes: in.k450 keypad (**0607-005012**), overlay (**9916-101335**)
 7 buttons: On/Pump 1/Pump 2/Pump 3/Light/Up/Down
 Dimensions: 18.1 x 7.6 cm (7-1/4" x 3")
 Cord length: 3 m - 10' (**0607-005012**), 7,62 m - 25' (**0607-005017**)
 Compatible with: in.xe, in.xm, in.xm2 & Y Series systems



Code **0607-007067**

IN.K8-30P AND OVERLAY (BDLK830P)

Includes: in.k8-30P keypad (**0607-007067**), overlay (**9916-101675**)
 8 buttons: Pump 1/Pump 2/Pump 3-Blower/Light/ Power/Prog/Up/Down
 Dimensions: 17.8 x 8.25 cm (7" x 3-1/4")
 Cord length: 3 m (10')
 Compatible with: in.xe & Y Series systems

Note: Replaces in.k19 & in.k35 (same shape, different keys)



Code **0607-008112**

IN.K336 AND OVERLAYS

Includes: in.k336 color keypad and overlays
 Overlay 10P (**9916-101749**) 5 buttons: Up/Down/Pump 1/Light/Program
 Overlay 20P (**9916-101750**) 5 buttons: Up/Down/Pump 1/Pump 2/Light
 Dimensions: 7 1/8" x 3 1/10" (18.2 x 7.6 cm)
 Cord length: 10' (3 m)
 Compatible with: Y Series systems



Code **0607-008039** (1 pump) **0608-008040** (2 pumps)

IN.K300 AND OVERLAY (BDLK30010P - BDLK30020P)

Includes: in.k300-10P keypad (**0607-008039**), overlay (**9916-101499**)
 4 buttons: Pump 1/Light/Up/Down
 or
 Includes: in.k300-20P keypad (**0607-008040**), overlay (**9916-101500**)
 4 buttons: Pump 1/Pump 2/Light/Up-Down

Dimensions: 15.9 x 7.5 cm (6-1/4" x 2-1/4")
 Cord length: 3 m (10')
 Compatible with: Y Series systems



Code **0607-008003** (1 pump) **0607-008002** (2 pumps)

IN.K200 AND OVERLAY (BDLK20010P - BDLK20020P)

Includes: in.k200-10P keypad (**0607-008003**), overlay (**9916-101203**)
 4 buttons: Pump 1/Light/Up/Down
 or
 Includes: in.k200-20P keypad (**0607-008002**), overlay (**9916-101030**)
 4 buttons: Pump 1/Pump 2/Light/Up-Down

Dimensions: 12 x 5.1 cm (4-3/4" x 2")
 Cord length: 3 m (10')
 Compatible with: in.xe & Y Series systems

Spa Keypads

Y and X series



Code **0607-005019**

IN.K120-30P AND OVERLAY

Includes: in.k120 auxiliary keypad and overlay
4 buttons: Pump 1/Pump 2/Pump 3/Light
Dimensions: 3-1/2" x 2-1/8" (9 x 5.4 cm)
Cord length: 20' (6 m)
Compatible with: in.xe, in.xm, in.xm2 & Y Series systems

M-CLASS



Code **0201-007044**

TSC-4-10K-GE1 AND OVERLAY (BDLTSC410K)

Includes: TSC-4-10K keypad (0201-007044), overlay (9916-100761)
10 buttons: Pump 3/Pump 1/Pump 2/Blower/Light/Clock/Economy/Filter/Up/Down
Dimensions: 17.8 x 8.25 cm (7" x 3-1/4")
Cord length: 3 m (10')
Compatible with: M-CLASS systems



Code **0200-007119**

TSC-4-GE1 AND OVERLAY (BDLTSC4GE1)

Includes: TSC-4 keypad (0200-007119), overlay (9916-100094)
8 buttons: Up/Pump 1/Pump 2/Prog/Down/Blower/Light/Mode
Dimensions: 17.8 x 8.25 cm (7" x 3-1/4")
Cord length: 3 m (10')
Compatible with: M-CLASS systems



Code **0201-007153**

TSC-8-10K-GE1 AND OVERLAY (BDLTSC810K)

Includes: TSC-8-10K keypad (0201-007153), overlay (9916-100723)
10 buttons: Power/Pump 1/Pump 2/Light/Up/Economy/Pump 3/Blower/Filter/Down
Dimensions: 17.8 x 8.25 cm (7" x 3-1/4")
Cord length: 3 m (10')
Compatible with: M-CLASS systems



Code **0200-007194**

TSC-8 AND OVERLAY (BDLTSC8GE1 & BDLTSC8GE2)

Includes: TSC-8 keypad (0200-007113), overlays (9916-100130 & 9916-100331)
8 buttons: Pump 1/Pump 2/Blower/Light/Power/Filter/Up/Down
Dimensions: 17.8 x 8.25 cm (7" x 3-1/4")
Cord length: 3 m (10')
Compatible with: M-CLASS systems



Code **0202-007143**

TSC-35-GE1 AND OVERLAY (BDLTSC35GE1)

Includes: TSC-35 keypad (**0202-007143**), overlay (**9916-100381**)
 6 buttons: Pump 1/Pump 2/Blower/Light/Up/Down
 Dimensions: 17.8 x 8.25 cm (7" x 3-1/4")
 Cord length: 3 m (10')
 Compatible with: S-CLASS systems



Code **0202-007154**

TSC-9 AND OVERLAY KIT GE1-GE2 (BDLTSC9PPD)

Includes: TSC-9 keypad (**0202-007154**), 1 pump overlay (**9916-100131**),
 2 pumps overlay (**9916-100186**)
 4 buttons: Pump 1/Light/Up/Down or Pump 1/Pump 2/Light/Up,Down
 Dimensions: 11.4 x 5 cm (4-1/2" x 2")
 Cord length: 3 m (10')
 Compatible with: S-CLASS and U-CLASS systems

Spa Remote Control Module

in.touch 2



in.touch 2
ultimate mobile remote control for your spa

- Push notifications to alert consumers even when the app is not open
- Extended communication range:
3 times longer than standard Wi-Fi signal
- Simple plug & play network through your ethernet connection
- Intuitive app layout
- Control pumps, blower and light
- Control water temperature set point
- Water care settings to save energy
- Retail ready packaging

Compatible spa controllers:
X and Y series versions 2012 and later

Compatible devices:
For iOS and Android smartphones and tablets



Find the in.touch 2 app
on App Store or Google Play



* iPad, iPhone and Android phones not included.

Code	Description
------	-------------

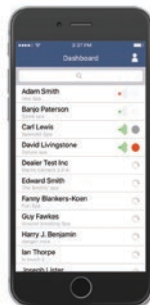
0608-521037	<p>IN.TOUCH-2 KIT EUROPEAN AND UK VERSION</p> <p>Control your hot tub from your iDevice: iPad, iPhone, iPod and Android devices The module connects to your home network to provide remote control of your spa. Kit includes: 2 communication modules (Spa unit (2 m cable) & network unit), ethernet cable (0,9 m), Wallmount power adaptor and wire (0,9 m) Compatible with: in.xm2, in.xe and Y Series (manufactured after 2012).</p>
-------------	---



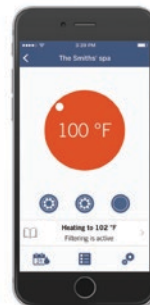
in.touch ic
for spa and hot tub professionals



Remote supervision
of your spa and hot tub installed base.



Dealer dashboard.



Customer spa pages.



Permission request.

More than a new pro app, a smarter way to work!



in.lu.me
most comprehensive LED system for spas and hot tubs



- System of loop, spyder and cluster cables with high-intensity RGB LED lights
- Made for in.mix 300 color lighting console
- Sturdy water resistant connections (IPX5)
- Quick, easy and clean installation
- Bigger wire gage on loop
- More LEDs on your spa
- Compatible with: in.k1000, in.k800 and in.touch 2

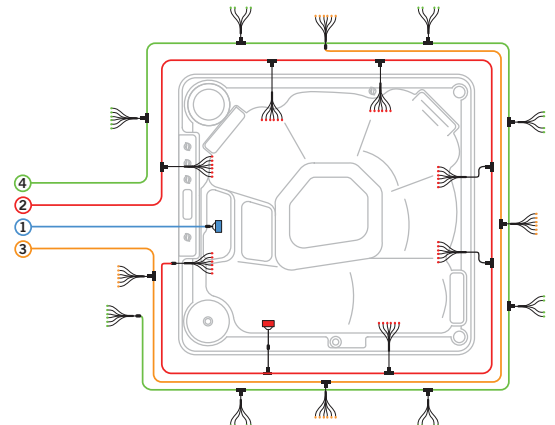


in.touch 2 ready!

in.lu.me installation

Configuration example: 120 LEDs

- ① 1 in.lu.me-loop-1 & 1 in.lu.me-clus-9
- ② 1 in.lu.me-loop-8 & 7 in.lu.me-spyd-6 & 1 in.lu.me-clus-9
- ③ 1 in.lu.me-loop-4 & 4 in.lu.me-spyd-6
- ④ 1 in.lu.me-loop-8 & 2 in.lu.me-spyd-6 & 6 in.lu.me-spyd-4



Code Description



0699-500001 IN.LU.ME-SPYD-4
Spyder cable 4 LEDs
Cord length: 1.5 m (60")



0699-500002 IN.LU.ME-SPYD-6
Spyder cable 6 LEDs
Cord length: 1.5 m (60")



0699-500003 IN.LU.ME-LOOP-8-L
Loop cable with 8 t-shaped connectors at every 1.2 m (48")
Cord length: 10 m (408")



0699-500004 IN.LU.ME-LOOP-4-L
Loop cable with 4 t-shaped connectors at every 2.4 m (96")
Cord length: 9 m (360")



0699-500005 IN.LU.ME-CLUS-9
Main light, 9 LED cluster



0699-500006 IN.LU.ME-EXT-5
Cable adaptor 5' from loop to cluster
Cord length: 1.5 m (60")



0699-500007 IN.LU.ME-LOOP-1-8
Loop cable with 1 connector
Cord length: 2.4 m (8")

Accessories

in.mix 300



in.mix 300
create stunning underwater color shows with our light system

- A lighting control console at your fingertips
- Lights up to 3 different color zones in, or around your spa
- Built-in power supply
- Up to 100 points of RGB, LED light sold separately
- Additional CO connector
- Compatible with: in.k1000, in.k800 and in.touch 2
- Dimensions (WxHxD):
179 x 156 x 56 mm (7.03" x 6.13" x 2.22")
- Weight: 870 g (1.9 lb)



in.touch 2
ready!

Code	Description
------	-------------



0609-521009	IN.MIX-300: IN.MIX-300-LU.ME-AMP-GE1 Compatible with in.lu.me LED system
0609-521001	IN.MIX-300: AMP POWER CORD, MOLEX 5VDC LED PORT Compatible harness cable (1 per lighting zone): 9920-401478
0609-521003	IN.MIX-300: AMP POWER CORD, MTA 12VDC LED PORT Compatible harness cable (1 per lighting zone): 9920-401479
0609-521005	IN.MIX-300: IN.LINK POWER CORD, JJ 5VDC LED PORT Compatible with J&J Electronics, inc. Color Choice LED System



in.grid
a flexible way to control your external heating source

- Perfect for selecting, using and synchronizing alternative heat sources
- 4 single switches and one CO connector for your accessories
- Energy saving
- The choice between 4 modes of operation:
 - Internal: electrical heater only
 - External: secondary heat source only
 - Both: electrical heater & secondary heat source
 - Smart: secondary heat source & electrical heater if needed
- Compatible with: Y series specific software required
- Dimensions (WxHxD): 140 x 114 x 47 mm (5.50" x 4.48" x 1.84")

Code	Description
------	-------------



0608-521033	IN.GRID: 4 SWITCH + CO + HEAT PUMP CONTROL The in.grid provides a connection to a normally open dry-contact relay through a spring-loaded female connector. Therefore an external heat source can be controlled by the in.grid. Relay is rated 24V, 4A. External heat source must be made compatible with this remote switching method.
0607-007010	IN.K110 SINGLE SWITCH (BDLK110) 1 button: control pump from each seat Dimensions: 3.8 cm (1-1/2") diameter Cord length: 6 m (20') Compatible with: in.grid (0608-521033)
9916-100480	OVERLAY FOR IN.K110 (BDLK110)



in.stream 2
streamed from your spa, your favorite music never sounded so good!

Features

- Powerful and efficient class D amplifiers
 - Up to 4 speaker outputs (200W at 4 Ohms)
 - 1 subwoofer output (100W at 2 Ohms)
- Supported audio sources
 - Bluetooth streaming
 - Aux in
 - USB stick
 - FM radio
- Smartphone charger through USB connector
- Wall mount installation
- Built-in universal power supply
- Robust, fully splash proof (IPx5) enclosure

WxHxD: 249 x 66 x 225 mm (9.81" x 2.58" x 8.88")
Weight: 1.6 kg (3.6 lb)

Code Description



0704-121007 IN.STREAM 2 AUDIO SYSTEM, POWER SUPPLY - IN.LINK CORD
in.stream 2 spa audio system with Quick Connect cable: built-in power supply (100-240VAC)
Up to 4 speaker outputs, 1 subwoofer output.
Sources in stand-alone mode: Bluetooth, Auxiliary input
Sources if connected to a Gecko Pack with Color keypads: Bluetooth, Auxiliary input, USB, FM radio
Compatible with X series systems



0704-121008 IN.STREAM 2 AUDIO SYSTEM (PRO VERSION), POWER SUPPLY - QUICK CONNECT CORD
in.stream 2 spa audio system (Pro Version) with in.link cable: built-in power supply (100-240VAC)
Up to 4 speaker outputs, 1 subwoofer output.
Sources in stand-alone mode: Bluetooth, Auxiliary input
Sources if connected to a Gecko Pack with Color keypads: Bluetooth, Auxiliary input, USB, FM radio
Compatible with Y series systems and any control that support Quick Connect tabs



0799-105008 IN.P4 SMARTPHONE DOCK WITH USB AND 1/8" STEREO MINI JACK
Compatible with in.stream 2



9920-401425 CABLE: ADAPTOR IN.STREAM 1 OR IN.CHANT TO IN.STREAM 2



0707-005015 IN.K175 KEYPAD FOR IN.STREAM 2 AUDIO SYSTEM
7 buttons: Power/Bluetooth/AUX/Volume Up - Down/Previous Track/Next Track
Dimensions: 9 x 5.5 cm (3.58" x 2.15")
Cord length: 6 m (20')
Compatible with: in.stream 2 audio system

Spa Sanitizers

in.clear



WxHxD: 276 x 154 x 119 mm (10.88" x 6.05" x 4.68")
Weight: 2.3 kg (5 lb)



in.clear

the most efficient, reliable and safest bromine based water sanitization system ever offered to spa owners.



Specifications

- Optional user-friendly topside control panel
- Compatible with Gecko color keypad series
- Input rating: 220 V not switched
- in.clear flow rate:
 - A minimum of 10 l/min (3 GPM)
 - A maximum of 150 l/min (40 GPM)



Features

- One of the most efficient water sanitization systems in the industry
- Programmable settings
- 2 operating modes: maintenance and boost
- Low maintenance and easy to handle
- Eliminates the need to add extra sanitizing chemicals
- Does not produce offensive odors

in.clear solutions:

Code	Description
 0605-500008	IN.CLEAR-200, IN.LINK CABLE & COMMUNICATION CABLE Includes a communication cable to connect to Gecko Y and X series. Product can still work in "stand alone mode" if communication cable is not connected. Voltage: 240 V Cord length: 2.44 m (8') Cord type: in.link
 0605-500010	IN.CLEAR-200, QUICK CONNECT CABLE & COMMUNICATION CABLE Includes a communication cable to connect to Gecko Y and X series. Product can still work in "stand alone mode" if communication cable is not connected. Voltage: 240 V Cord length: 2.44 m (8') Cord type: Quick connect

Chemical products:

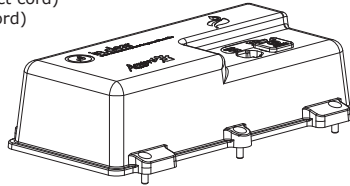
Code	Description
 0699-300009	2.2 KG (4.85 LB) BROMICHARGE BOTTLE (EUROMARKET) Content: Bromine salt Weight: 2.2 kg (4.85 lb) Works with: in.clear systems
 0699-300008	BROMINE TEST KIT Content: Bromine testing solution

Buy
6 bottles,
get 5%
off!

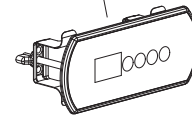


in.clear exploded view

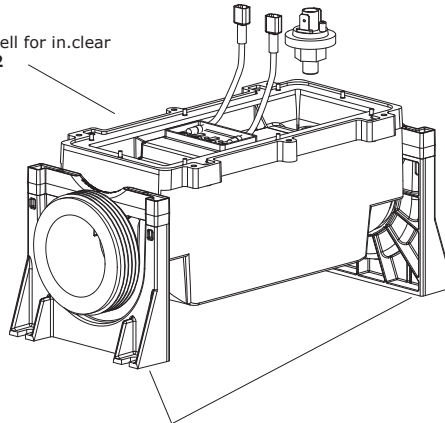
Complete in.clear bromine generator with topside
0605-500010 (Quick connect cord)
0605-500008 (in.link cord)



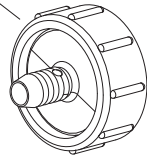
in.clear topside (3 m or 10' cord)
 with overlay & mounting bracket
0607-008010



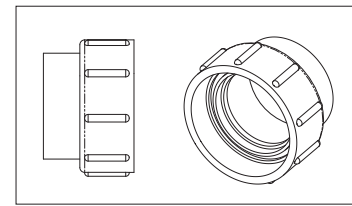
Replacement cell for in.clear
9920-101492



Bundle reducer 3/4" to 2"
0699-300007 (Bag of 2)







Compression fittings 2"
52272000 (Bag of 2)



Mounting bracket
9920-101464 (Kit of 2)

Spa Cables

AMP cables & adaptors

	Code	Description
	95100517	CABLE: AMP-4P TO QC, SINGLE SPEED 14/3 1.2 M (4')
	95100519	CABLE: AMP-4P TO QC, DUAL SPEED 14/4 1.2 M (4')
	9920-401346	CABLE 1 SPD, AMP TO QUICK CONNECT, 14AWG, LENGTH 20 CM (8")
	9920-401369	CABLE SPLITTER PP-1 AMP MALE TO 2 FEMALE, LENGTH 15 CM (6")

New!



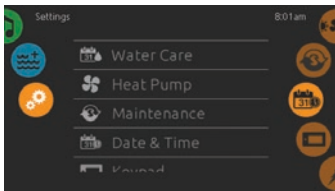
5kW models Part # 0615-807002
7.5kW models Part # 0615-807003



in.temp

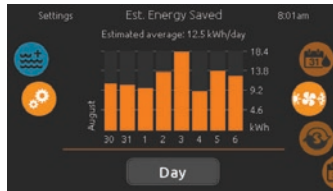
A new way to regulate the water of your spa.

World-class, quiet and efficient.



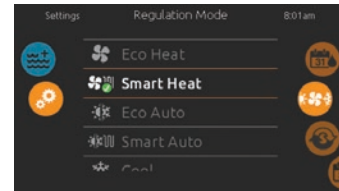
Plug and play solution

Here comes Gecko's new heat pump solution. Using our in.temp has never been so easy! Simply connect it to a Y series control that supports it and you're good to go! Automatic detection, smart power management and no additional power circuit required, the in.temp powers directly from the spa control.



Benefit from energy savings

Are you looking for the most energy efficient form of heating water? Our in.temp is the perfect solution! Air sourced heat pumps, will allow you to save up to 75% energy consumption in comparison with electric elements. The icing on the cake: Gecko's in.temp also uses an eco-friendly refrigerant (R32 and R410A).



Total flexibility that can also cool down water

With in.temp, you can choose one of its six modes of operation that suits you the best: Eco Heat, Smart Heat, Eco Auto, Smart Auto, Cool and Electric! No matter the weather, your spa will always be at the perfect temperature. Smart modes let you taking full advantage of your in.temp to optimize your savings.

Compatibility

Wide selection of keypads (auto-detected by the system upon power up)



in.k330
color LCD display, 5 keys



in.k500
color LCD display, 7 keys



in.k800
color LCD display, 10 keys



in.k1001+
color LCD capacitive
touchscreen display



in.k1000+
color LCD capacitive
touchscreen display

Learn more about in.temp at www.geckointemp.com



OP.HP stands for operational horse power and is a notation specific to Aqua-Flo. If you replace an Aqua-Flo pump, make sure the OP.HP rating matches the hp rating on the old pump. If you are replacing another pump brand by one below, refer to the hp rating in the tables.

Flo-Master XP3 Series, 50Hz



- Booster jet pumps
- Perfect for swim spa applications
- 2 1/2" intake & discharge
- Flow rate up to 925 l/min
- 90 frame motor

Single & dual-speed, 2 1/2" intake & discharge

Part No.	Speed	kW / HP	Frame	A (High)	A (Low)	Hi-Flow l/min
08243000-6041	1	2.1 / 3.0	80	9.1	-	925
08340005-8041	2	2.3 / 2.5	90	10.2	2	925
08242000-6041	1	1.8 / 2.5	80	7.7	-	700
08330004-6041	2	1.9 / 2.0	90	8.3	1.8	725
08241000-6041	1	1.5 / 2.0	80	6.6	-	650

Circ-Master HP & CP Series



- Ideal 24/7 circ pump apps.
- 1 1/2" intake & discharge
- Single-speed pump
- More than 100 l/min @ 138W
- 48 frame motor

Side discharge, single-speed, 1 1/2" intake & discharge

Part No.	Speed	W	HP	Frame	A (High)	Hi-Flow l/min
02420014-2010	1	138	0.19	48	0.6	120

Center discharge, single-speed, 1 1/2" intake & discharge

Part No.	Speed	W	HP	Frame	A (High)	Hi-Flow l/min
02920006-2010	1	138	0.19	48	0.6	115

Flo-Master XP2/XP2e Series, 50Hz



- Booster jet pumps
- 2" intake & discharge
- Flow rate up to 800 l/min
- 80-90 frame motor

Single & dual-speed, 2" intake & discharge

Part No.	Speed	kW / HP	Frame	A (High)	A (Low)	Hi-Flow l/min
05253000-6040	1	2.4 / 3.0	80	10.3	-	680
05351009-6040	2	2.3 / 2.5	90	9.8	1.7	625
07044000-6040	1	1.8 / 2.5	80	7.8	-	370
05340014-8040	2	1.8 / 2.0	80	7.9	1.6	380
07030003-6040	1	1.5 / 2.0	80	6.7	-	330
05320024-8040	2	1.4 / 1.5	80	6	1.2	300

Circ-Master XP Series



- Ideal 24/7 circ pump apps.
- 2" intake & discharge
- Single-speed pump
- Best efficiency of the industry: More than 150 l/min @ 161W
- 48 frame motor

Side discharge, single-speed, 2" intake & discharge

Part No.	Speed	W	HP	Frame	A (High)	Hi-Flow l/min
06334000-2040	1	161	0.22	48	0.7	190

Every pump comes with 2 compression fittings.

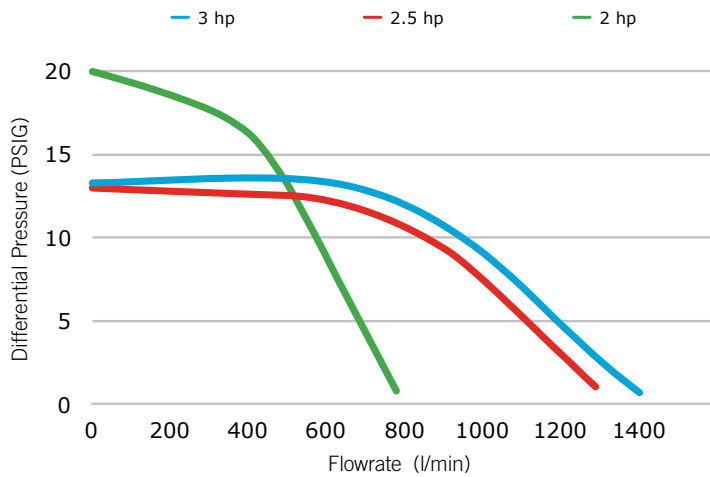


Flo-Master XP3
the power behind the performance of your spa

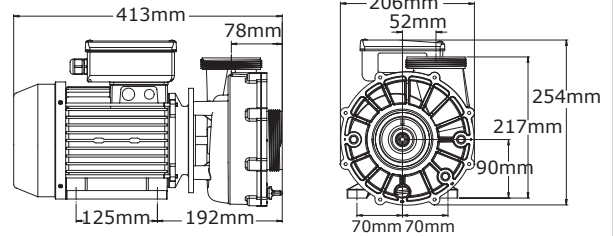
- Booster jet pumps
- Single or Dual-speed
- Power: 2.5 HP or 3 HP (available in single speed only)
- Flow rate up to 925l/min
- Perfect for swim spa applications
- 2.5" intake and discharge
- Seal: Viton



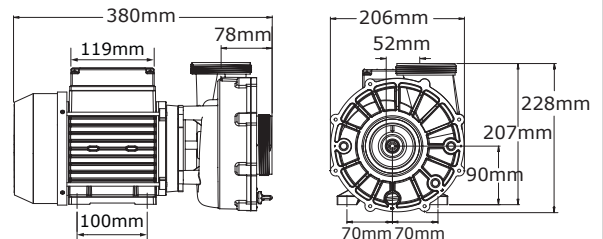
Performance Curve FM-XP3



90 Frame motor dimensions



80 Frame motor dimensions



Flo-Master XP3 Series, 230 V, 50Hz

2.5" intake & discharge

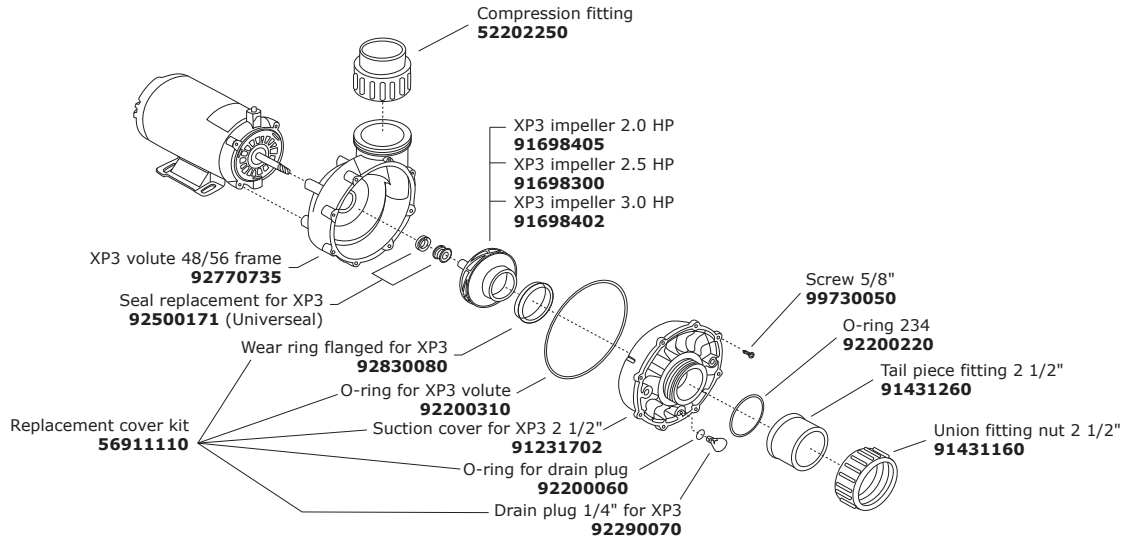
Part No.	Speed	kW	HP	Frame	A (High)	A (Low)	Hi-Flow l/min
08243000-6041	1	2.1	3.0	80	9.1	-	925
08340005-8041	2	2.3	2.5	90	10.2	2	925
08242000-6041	1	1.8	2.5	80	7.7	-	700
08330004-6041	2	1.9	2.0	90	8.3	1.8	725
08241000-6041	1	1.5	2.0	80	6.6	-	650

Every pump comes with 2 compression fittings.



Flo-Master XP3

Flo-Master XP3 exploded view



Flo-Master XP3 Wet Ends 90FR, 2.5" intake & 2.5" side discharge

	Part No.	HP @ 50hz*
	91042130-000	2.0
	91042130-020	2.5
	91042140-000	3.0

* Wet end's Horse Power rating will show the 60Hz rating on the package.

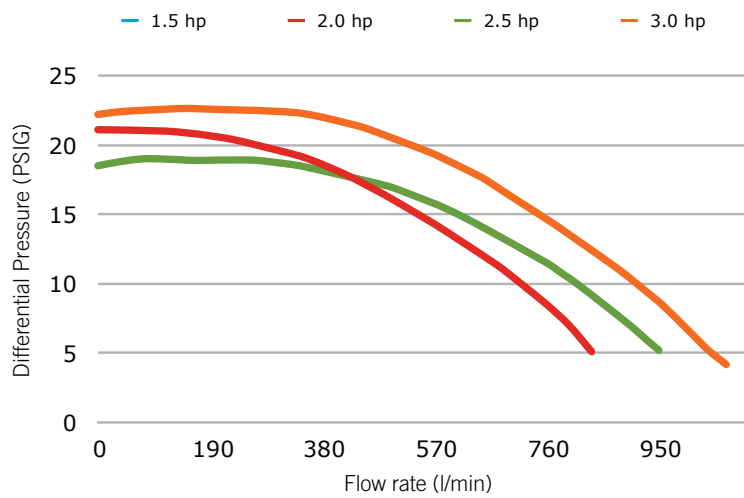


Flo-Master XP2e
greater flow-rates with overall energy efficiency

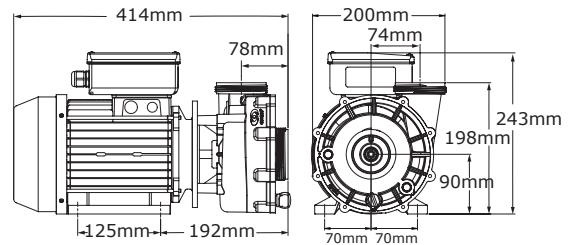
- Booster jet pumps
- Ideal for high-flow requirements
- Dual-speed and single speed available
- Flow rate up to 800 l/min
- 80-90 frame motors
- 2" intake and discharge
- 230 V, 50 Hz, TUV & IPX5 rated
- Seal: Viton



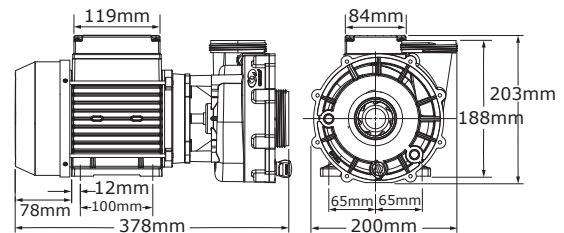
Performance Curve FM-XP2e



90 Frame motor dimensions



80 Frame motor dimensions



Flo-Master XP2e Series, 230 V, 50Hz

2" intake & discharge

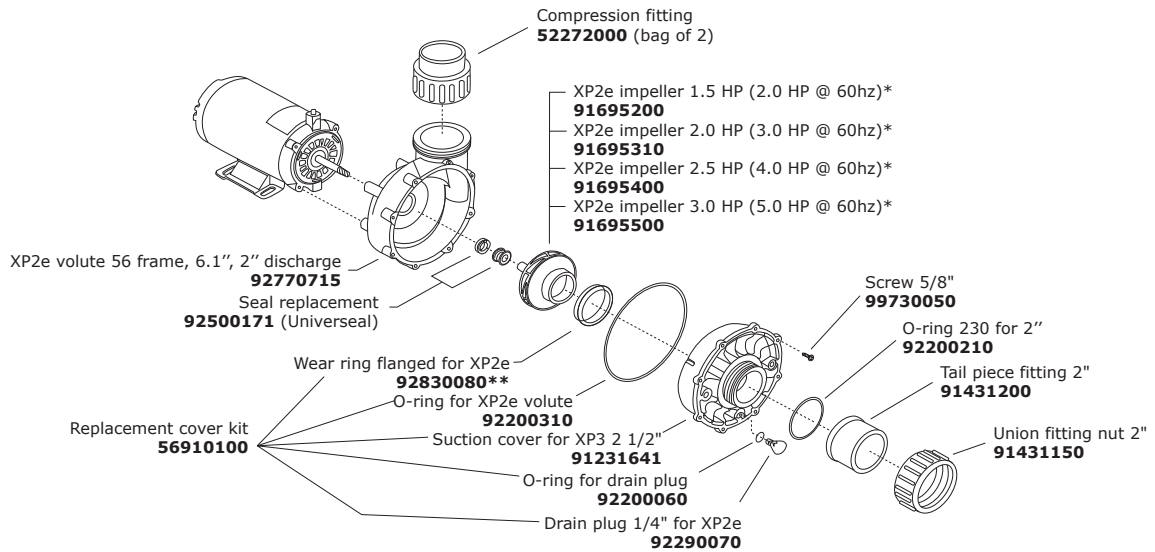
Part No.	Speed	kW	hp	Frame	A (High)	A (Low)	Hi-Flow l/min
05253000-6040	1	2.4	3.0	80	10.3	n/a	680
05351009-6040	2	2.3	2.5	90	9.8	1.7	625
07044000-6040	1	1.8	2.5	80	7.8	n/a	370
05340014-8040	2	1.8	2.0	80	7.9	1.6	380
07030003-6040	1	1.5	2.0	80	6.7	n/a	330
05320024-8040	2	1.4	1.5	80	6	1.2	300

Every pump comes with 2 compression fittings.



Flo-Master XP2e

Flo-Master XP2e exploded view



* Impeller's Horse Power rating will show the 60Hz rating on the package.
 ** 2.0 HP use wear ring **92830081**

Flo-Master XP2e Wet Ends 56FR, 2" intake & 2" side discharge, 6.1" Euro legs



Part No.	HP @ 50hz*
91041921-000	1.5
91041624-000	2.0
91041941-000	2.5
91041951-000	3.0

* Wet end's Horse Power rating will show the 60Hz rating on the package.

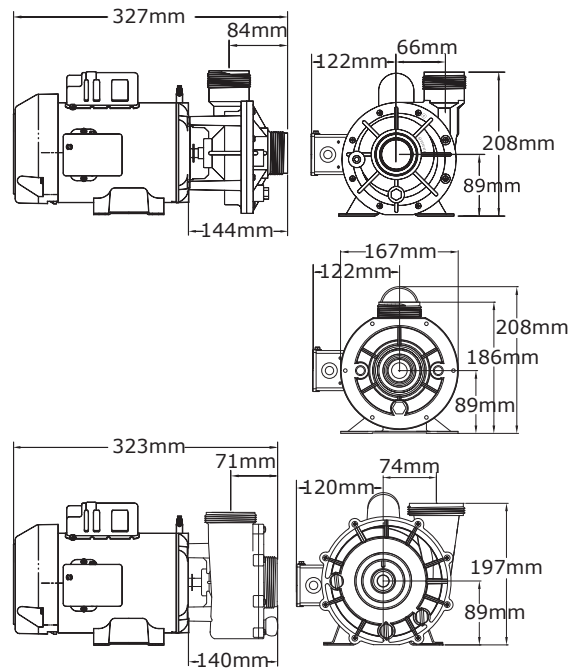
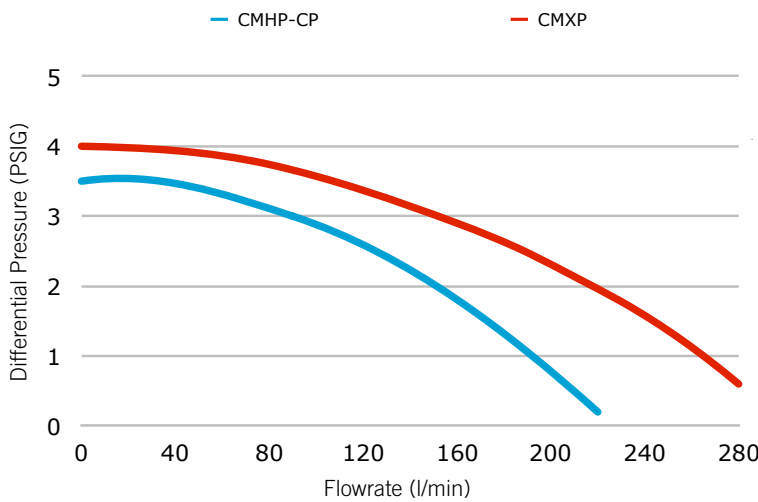


Circ-Master HP, CP & XP
24-hour recirculation pumps

- Ideal for 24/7 circ pump applications
- Single speed
- Increase filtration
- Best efficiency of the industry:
 - CMHP: more than 100 l/min @ 138W
 - CMXP: more than 150 l/min @ 161W
- IPx5 rated sealed motor
- Fan cooled for best performance
- Quiet operation
- Seal: Universeal



Dimension and Performance Curves Circ-Master



Circ-Master HP and CP Series, 230 V, 50Hz

Single-speed, 1.5" intake & discharge

Part No.	Discharge type	Speed	W	HP	Frame	A (High)	A (Low)	Hi-Flow l/min
02420014-2010	Side (CMHP)	1	138	0.19	48	0.6	n/a	120
02920006-2010	Center (CMCP)	1	138	0.19	48	0.6	n/a	115

Circ-Master XP Series, 230 V, 50Hz

Single-speed, 2" intake & discharge

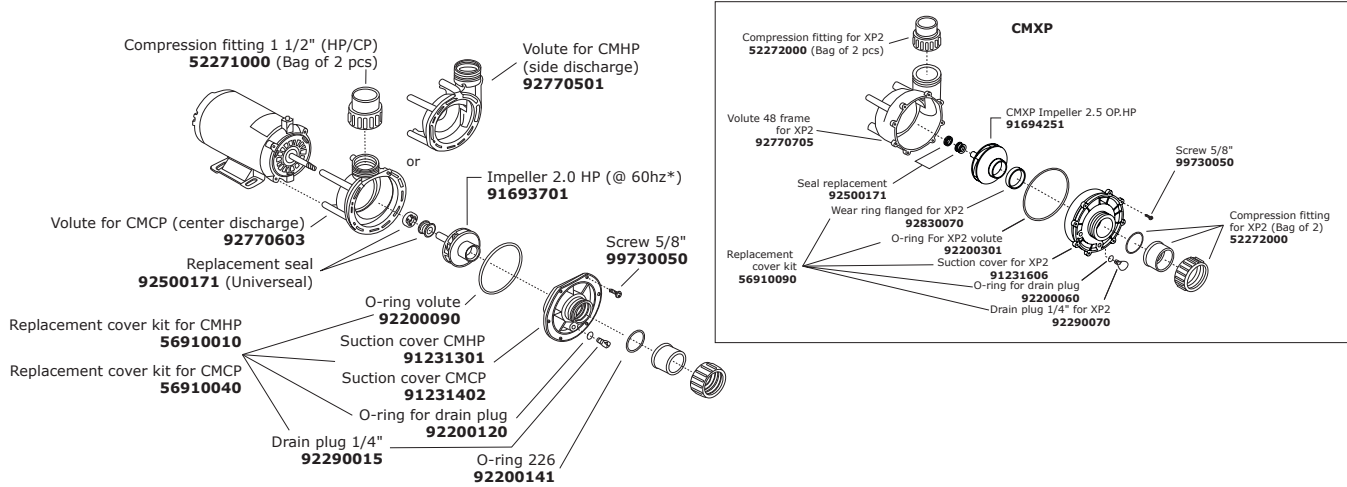
Part No.	Discharge type	Speed	W	HP	Frame	A (High)	A (Low)	Hi-Flow l/min
06334000-2040	Side (CMXP)	1	161	0.22	48	0.7	n/a	190

Every pump comes with 2 compression fittings & with 2,4 m (8') AMP cord.





Circ-Master HP, CP & XP

Circ-Master HP, CP & XP exploded view




* Impeller's Horse Power rating will show the 60Hz rating on the package.

Circ-Master HP & CP Wet Ends 48FR, 1.5" intake & discharge

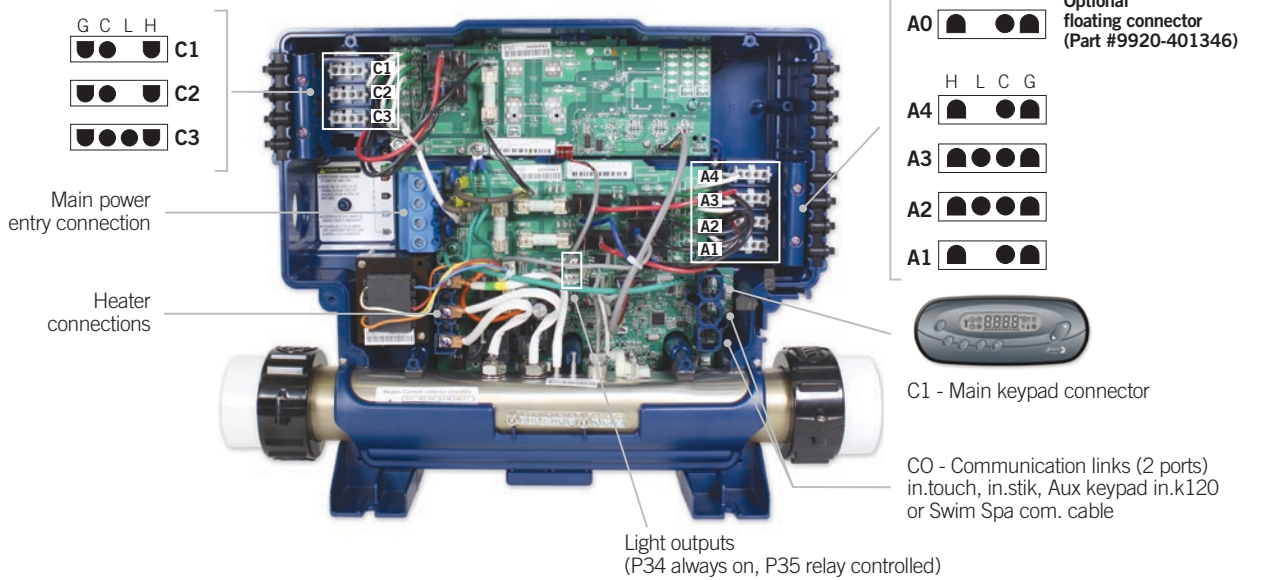
	Part No.	OP.HP*	Discharge
	91040840-000	1/15	Center
	91040730-000	1/15	Side

Circ-Master XP Wet Ends 48FR, 2" intake & discharge

	Part No.	OP.HP*	Discharge
	91041611-120	1/15	Side

Low Level Configuration

in.yt



Preloaded Spa configurations, ID # 0611-221027-349, Software # 349 rev 2.0

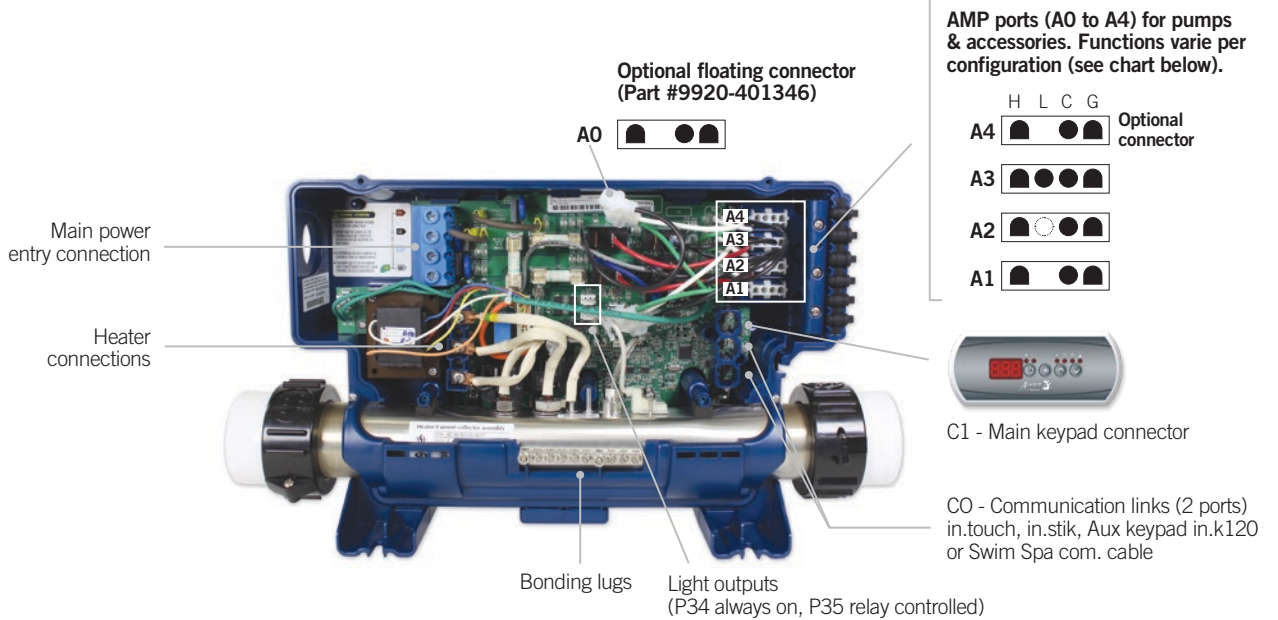
Information between () indicates which AMP connector to use. See above drawing for connector's position.

Config. #	Pump 1	Pump 2	Pump 3	Pump 4	Pump 5	Blower	Circ. Pump (CP)	Ozone ¹	Filter Cycle (Daily)	Heater Pump
1	1sp (A3)	1sp (A2)	1sp (A1)				(C2)	(A4)	2 x 6 hours with CP	CP
2	1sp (A3)	1sp (A2)	1sp (A1)			(C3)	(C2)	(A4)	2 x 6 hours with CP	CP
3	1sp (A3)	1sp (A2)	1sp (A1)	1sp (C3)			(C2)	(A4)	2 x 6 hours with CP	CP
4	1sp (A3)	1sp (A2)	1sp (A1)	1sp (C3)		(A4)	(C2)	(K2-P tab) ³	2 x 6 hours with CP	CP
5	1sp (A3)	1sp (A2)	1sp (A1)	1sp (C3)	1sp (A4)		(C2)	(K2-P tab) ³	2 x 6 hours with CP	CP
6	1sp (A3)	1sp (A2)	1sp (A1)	1sp (C3)	1sp (A4)	(C2)	(K2-P tab) ²		2 x 6 hours with CP	CP
7	2sp (A3)	1sp (A2)	1sp (A1)					(A4)	2 x 2 hours with P1L	Pump 1
8	2sp (A3)	1sp (A2)	1sp (A1)			(C3)		(A4)	2 x 2 hours with P1L	Pump 1
9	2sp (A3)	1sp (A2)	1sp (A1)				(C2)	(A4)	2 x 6 hours with CP	CP
10	2sp (A3)	1sp (A2)	1sp (A1)			(C3)	(C2)	(A4)	2 x 6 hours with CP	CP
11	2sp (A3)	1sp (A2)	1sp (A1)	1sp (C3)				(A4)	2 x 2 hours with P1L	Pump 1
12	2sp (A3)	1sp (A2)	1sp (A1)	1sp (C3)		(A4)		(C2)	2 x 2 hours with P1L	Pump 1
13	2sp (A3)	1sp (A2)	1sp (A1)	1sp (C3)			(C2)	(A4)	2 x 6 hours with CP	CP
14	2sp (A3)	1sp (A2)	1sp (A1)	1sp (C3)		(C2)			2 x 6 hours with CP	CP
15	2sp (A3)	1sp (A2)	1sp (A1)	1sp (C3)	1sp (A4)	(C2)			2 x 2 hours with P1L	Pump 1
16	2sp (A3)	1sp (A2)	1sp (A1)	1sp (C3)	1sp (A4)			(C2)	2 x 2 hours with P1L	Pump 1
17	2sp (A3)	2sp (A2)						(C3)	2 x 2 hours with P1L	Pump 1
18	2sp (A3)	2sp (A2)				(A1)		(C3)	2 x 2 hours with P1L	Pump 1
19	2sp (A3)	2sp (A2)					(C2)	(C3)	2 x 6 hours with CP	CP
20	2sp (A3)	2sp (A2)				(A1)	(C2)	(C3)	2 x 6 hours with CP	CP
21	2sp (A3)	2sp (A2)	1sp (A1)					(C3)	2 x 2 hours with P1L	Pump 1
22	2sp (A3)	2sp (A2)					(C2)	(C3)	2 x 2 hours with CP	CP
23	2sp (A3)	2sp (A2)	1sp (A1)					(C3)	2 x 6 hours with CP	CP
24	2sp (A3)	2sp (A2)	1sp (A1)			(C3)		(C3)	2 x 6 hours with P1	Pump 1
25	2sp (A3)	2sp (A2)	1sp (A1)			(C3)	(C2)	(C2)	2 x 2 hours with CP	CP
26	2sp (A3)	2sp (A2)	2sp (C3)					(A1)	2 x 6 hours with CP	CP
27	2sp (A3)	2sp (A2)	2sp (C3)			(A1)			2 x 2 hours with P1L	Pump 1
28	2sp (A3)	2sp (A2)	2sp (C3)			(A1)	(C1) ²		2 purges, CP Always on	CP
29	2sp (A3)	1sp (A2)	1sp (C3)			(A4)		(C2)	2 purges, CP Always on	Pump 1

Note 1: When the Ozonator is not controlled by a relay, it can be tied to Pump 1 Low speed or Circ. Pump. Pump using cable splitter AMP PN: 9920-401369.

Note 2: Circ. pump is connected to a Direct fused outlet. Pump will always be on and may overheat if oversized pump is used.

Note 3: This accessory does not have its own AMP connector. Rewire C1 if not used or order extra AMP connector 9920-401346 (Black wire to K2-P tab on the board, Green to any Ground (G) tab and white to Neutral (N) tab).



Preloaded spa configurations, ID # 0610-221045-338, Software # 338 rev 6.0

Information between () indicates which AMP connector to use. See above drawing for connector's position.

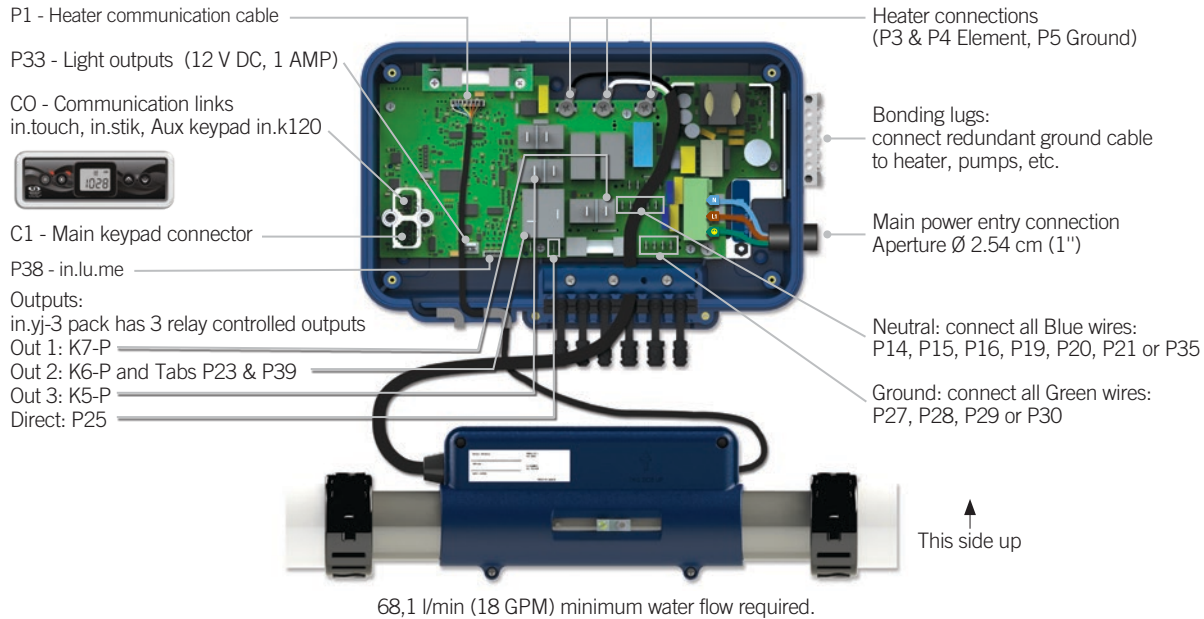
Config. #	Pump 1	Pump 2	Pump 3	Pump 4	Pump 5	Blower	Circ. Pump (CP)	Ozone ¹	Filter Cycle (Daily)	Heater Pump
1	1 sp (A3)						(A1)	(A4)	2 x 6 hours with CP	CP
2	1 sp (A3)	1 sp (A2)					(A1)	(A4)	2 x 6 hours with CP	CP
3	1 sp (A3)					(A4)	(A1)	(A2)	2 x 6 hours with CP	CP
4	1 sp (A3)	1 sp (A2)				(A4)	(A1)	(P43 Tab) ²	2 x 6 hours with CP	CP
5	1 sp (A3)	1 sp (A2)	1 sp (A1)				(A4)	(P43 Tab) ²	2 x 6 hours with CP	CP
6	1 sp (A3)	1 sp (A2)	1 sp (A1)			(A4)	(P43 Tab) ²		2 x 6 hours with CP	CP
7	2 sp (A3)							(A1)	2 x 2 hours with P1L	Pump 1
8	2 sp (A3)						(A1)	(A4)	2 x 6 hours with CP	CP
9	2 sp (A3)	1 sp (A2)						(A1)	2 x 2 hours with P1L	Pump 1
10	2 sp (A3)	1 sp (A2)					(A1)	(A4)	2 x 6 hours with CP	CP
11	2 sp (A3)					(A4)		(A1)	2 x 2 hours with P1L	Pump 1
12	2 sp (A3)					(A4)	(A1)	(A2)	2 x 6 hours with CP	CP
13	2 sp (A3)	1 sp (A2)				(A4)		(A1)	2 x 2 hours with P1L	Pump 1
14	2 sp (A3)	1 sp (A2)				(A4)	(A1)		2 x 6 hours with CP	CP
15	2 sp (A3)	1 sp (A2)	1 sp (A1)					(A4)	2 x 2 hours with P1L	Pump 1
16	2 sp (A3)	1 sp (A2)	1 sp (A1)				(A4)		2 x 6 hours with CP	CP
17	2 sp (A3)	2 sp (A2)						(A1)	2 x 2 hours with P1L	Pump 1
18	2 sp (A3)	2 sp (A2)					(A1)		2 x 6 hours with CP	CP
19	2 sp (A3)	2 sp (A2)				(A1)			2 x 2 hours with P1L	Pump 1
20	2 sp (A3)	2 sp (A2)	1 sp (A1)						2 x 2 hours with P1L	Pump 1
21	1 sp (A3)	1 sp (A2)	1 sp (A4)	1 sp (P43 Tab) ²			(A1)		2 x 6 hours with CP	CP
22	1 sp (A3)	1 sp (A2)	1 sp (A1)	1 sp (A4)			(P43 Tab) ²		2 x 6 hours with CP	CP
23	2 sp (A3)	1 sp (A2)	1 sp (A4)			(A1)		(P43 Tab) ²	2 x 2 hours with P1	Pump 1
24	2 sp (A3)	1 sp (A1)	1 sp (A2)	1 sp (A4)				(A1)	2 x 2 hours with P1	Pump 1
Swim Spa										
51 (Master)	1 sp (A3)	1 sp (A2)				(A4)	(A1)		2 x 6 hours with CP	CP
51 (Slave)			1 sp (A3)	1 sp (A2)				(A1)		
53 (Master)	2 sp (A3)	1 sp (A2)	1 sp (A1)				(A4)		2 x 6 hours with CP	CP
53 (Slave)				1 sp (A3)	1 sp (A2)	(A4)		(A1)		
54 (Master)	2 sp (A3)	1 sp (A2)	1 sp (A1)						2 x 2 hours with P1L	Pump 1
54 (Slave)				1 sp (A3)	1 sp (A2)	(A4)		(A1)		

Note 1: When the Ozonator is not controlled by a relay, it can be tied to Pump 1 Low speed or Circ. Pump using cable AMP 9920-401369.

Note 2: This accessory does not have its own AMP connector. Rewire A0 if not used or order extra AMP connector 9920-401346 (Black wire to P43 tab on the board, Green to any Ground tabs and white to any Neutral tabs).

Low Level Configuration

in.yj



By default, this pack runs on Low level 1. Pump 1 dual speed, a 12 V light and a 4kW heater at 240 V.

Preloaded spa configurations, ID # 0612-221040-430, Software # 430 rev 2.0

Information between () indicates which connector/tab to use. See above drawing for connector's position.

Config. #	Pump 1	Pump 2	Pump 3	Blower	Circ. Pump (CP)	Ozone	Filter Cycle (Daily)	Heater Pump
10	2 sp (High: K7-P, Low: K6-P)					with P1 (K5-P)	2 x 2 hour with P1	Pump 1
11	1 sp (K7-P)				(P23/P39)	with CP (K5-P)	2 x 6 hour with CP	CP
12				(K7-P)	(P23/P39)	with CP (K5-P)	2 x 6 hour with CP	CP
13	2 sp (High: K7-P, Low: K6-P)				(K5-P)		2 x 6 hour with CP	CP
20	2 sp (High: K7-P, Low: K6-P)					with P1 (K5-P)	2 x 2 hour with P1	Pump 1
21	1 sp (K7-P)				(P23/P39)	with CP (K5-P)	2 x 6 hour with P1	CP
22	2 sp (High: K7-P, Low: K6-P)	1 sp (K5-P)				with P1 (P23/P39)	2 x 2 hour with P1	Pump 1
23	2 sp (High: K7-P, Low: K6-P)			(K5-P)		with P1 (P23/P39)	2 x 2 hour with P1	Pump 1
24	2 sp (High: K7-P, Low: K6-P)				(K5-P)		2 x 6 hour with CP	CP
25	1 sp (K7-P)	1 sp (K5-P)			(K6-P)	with CP (P23/P39)	2 x 6 hour with CP	CP
26	1 sp (K7-P)			(K5-P)	(K6-P)	with CP (P23/P39)	2 x 6 hour with CP	CP
27	1 sp (K7-P)	1 sp (K5-P)	1 sp (K6-P)		(P25)		2 x day purge	CP
28	1 sp (K7-P)	1 sp (K5-P)		(K6-P)	(P25)		2 x day purge	CP
30	2 sp (High: K7-P, Low: K6-P)					with P1 (K5-P)	2 x 2 hour with P1	Pump 1
31	1 sp (K7-P)				(P23/P39)	with CP (K5-P)	2 x 6 hour with CP	CP
32	2 sp (High: K7-P, Low: K6-P)	1 sp (K5-P)				with P1 (P23/P39)	2 x 2 hour with P1	Pump 1
33	2 sp (High: K7-P, Low: K6-P)			(K5-P)		with P1 (P23/P39)	2 x 2 hour with P1	Pump 1
34	2 sp (High: K7-P, Low: K6-P)				(K5-P)		2 x 6 hour with CP	CP
35	1 sp (K7-P)	1 sp (K5-P)		(K5-P)	(K6-P)	with CP (P23/P39)	2 x 6 hour with CP	CP
36	1 sp (K7-P)				(K6-P)	with CP (P23/P39)	2 x 6 hour with CP	CP
37	1 sp (K7-P)	1 sp (K5-P)	1 sp (K6-P)	(K6-P)	(P25)		2 x day purge	CP
38	1 sp (K7-P)	1 sp (K5-P)			(P25)		2 x day purge	CP
40 ¹	2 sp (High: K7-P, Low: K6-P)					with P1 (K5-P)	2 x 2 hour with P1	Pump 1
41 ¹	1 sp (K7-P)				(P23/P39)	with CP (K5-P)	2 x 6 hour with CP	CP
42 ¹	2 sp (High: K7-P, Low: K6-P)	1 sp (K5-P)				with P1 (P23/P39)	2 x 2 hour with P1	Pump 1
43 ¹	2 sp (High: K7-P, Low: K6-P)			(K5-P)		with P1 (P23/P39)	2 x 2 hour with P1	Pump 1
44 ¹	2 sp (High: K7-P, Low: K6-P)				(K5-P)		2 x 6 hour with CP	CP
45 ¹	1 sp (K7-P)	1 sp (K5-P)			(K6-P)	with CP (P23/P39)	2 x 6 hour with CP	CP
46 ¹	1 sp (K7-P)			(K5-P)	(K6-P)	with CP (P23/P39)	2 x 6 hour with CP	CP
47 ¹	1 sp (K7-P)	1 sp (K5-P)	1 sp (K6-P)		(P25)		2 x day purge	CP
48 ¹	1 sp (K7-P)	1 sp (K5-P)		(K6-P)	(P25)		2 x day purge	CP

Note 1: If used in dual phase configuration, you need to have a electrical installation of 2 x 20A.

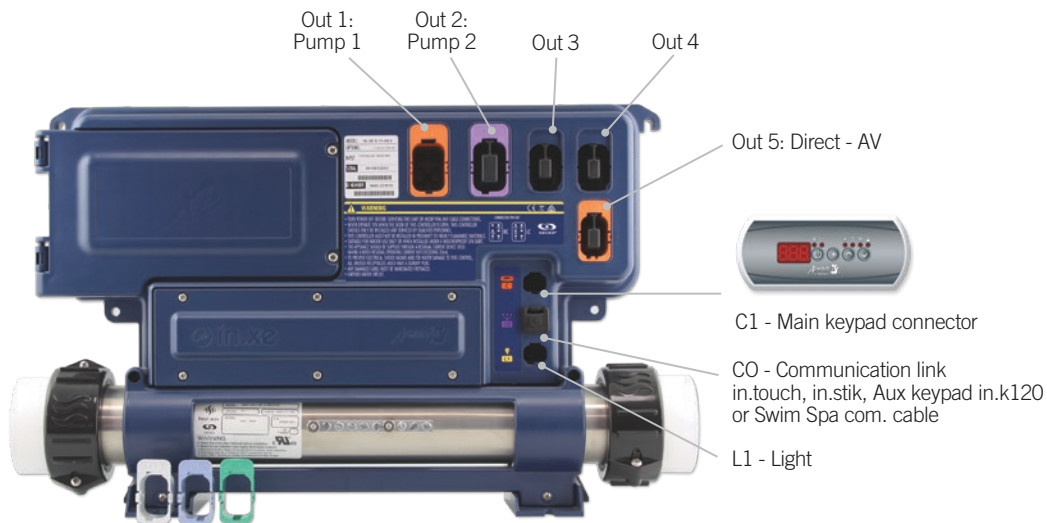


Preloaded spa configurations, ID # 0601-221105, Software # 186 rev 3.0

Information between () indicates which in.link-HV port to use. See above drawing for port's position.

Config. #	Pump 1	Pump 2	Pump 3	Pump 4	Pump 5	Blower	Ozone	Circ. Pump	Filter Cycle (Daily)	Heater Pump
1	1 sp (Out 3)						(Out 4)	(Out 6)	2 x 2 hours with CP	CP
2	1 sp (Out 3)					(Out 5)	(Out 4)	(Out 6)	2 x 2 hours with CP	CP
3	1 sp (Out 3)	1 sp (Out 2)					(Out 4)	(Out 6)	2 x 2 hours with CP	CP
4	1 sp (Out 3)	1 sp (Out 2)				(Out 5)	(Out 4)	(Out 6)	2 x 2 hours with CP	CP
5	1 sp (Out 3)	1 sp (Out 2)	1 sp (Out 1)				(Out 4)	(Out 6)	2 x 2 hours with CP	CP
6	1 sp (Out 3)	1 sp (Out 2)	1 sp (Out 1)			(Out 5)	(Out 4)	(Out 6)	2 x 2 hours with CP	CP
7	1 sp (Out 3)	1 sp (Out 2)	1 sp (Out 1)	1 sp (Out 3)*			(Out 4)	(Out 6)	2 x 2 hours with CP	CP
8	1 sp (Out 3)	1 sp (Out 2)	1 sp (Out 1)	1 sp (Out 3)*		(Out 5)	(Out 4)	(Out 6)	2 x 2 hours with CP	CP
9	1 sp (Out 3)	1 sp (Out 2)	1 sp (Out 1)	1 sp (Out 3)*	1 sp (Out 2)*		(Out 4)	(Out 6)	2 x 2 hours with CP	CP
10	1 sp (Out 3)	1 sp (Out 2)	1 sp (Out 1)	1 sp (Out 3)*	1 sp (Out 2)*	(Out 5)	(Out 4)	(Out 6)	2 x 2 hours with CP	CP
11	2 sp (Out 3)						(Out 4)		2 x 2 hours with P1L	P1
12	2 sp (Out 3)						(Out 4)	(Out 6)	2 x 2 hours with CP	CP
13	2 sp (Out 3)					(Out 5)	(Out 4)		2 x 2 hours with P1L	P1
14	2 sp (Out 3)					(Out 5)	(Out 4)	(Out 6)	2 x 2 hours with CP	CP
15	2 sp (Out 3)	1 sp (Out 2)					(Out 4)		2 x 2 hours with P1L	P1
16	2 sp (Out 3)	1 sp (Out 2)					(Out 4)	(Out 6)	2 x 2 hours with CP	CP
17	2 sp (Out 3)	1 sp (Out 2)				(Out 5)	(Out 4)		2 x 2 hours with P1L	P1
18	2 sp (Out 3)	1 sp (Out 2)				(Out 5)	(Out 4)	(Out 6)	2 x 2 hours with CP	CP
19	2 sp (Out 3)	1 sp (Out 2)	1 sp (Out 1)				(Out 4)		2 x 2 hours with P1L	P1
20	2 sp (Out 3)	1 sp (Out 2)	1 sp (Out 1)				(Out 4)	(Out 6)	2 x 2 hours with CP	CP
21	2 sp (Out 3)	1 sp (Out 2)	1 sp (Out 1)			(Out 5)	(Out 4)		2 x 2 hours with P1L	P1
22	2 sp (Out 3)	1 sp (Out 2)	1 sp (Out 1)			(Out 5)	(Out 4)	(Out 6)	2 x 2 hours with CP	CP
23	2 sp (Out 3)	2 sp (Out 2)	1 sp (Out 1)				(Out 4)		2 x 2 hours with P1L	P1
24	2 sp (Out 3)	2 sp (Out 2)	1 sp (Out 1)				(Out 4)	(Out 6)	2 x 2 hours with CP	CP
25	2 sp (Out 3)	2 sp (Out 2)	1 sp (Out 1)			(Out 5)	(Out 4)		2 x 2 hours with P1L	P1
26	2 sp (Out 3)	2 sp (Out 2)	1 sp (Out 1)			(Out 5)	(Out 4)	(Out 6)	2 x 2 hours with CP	CP

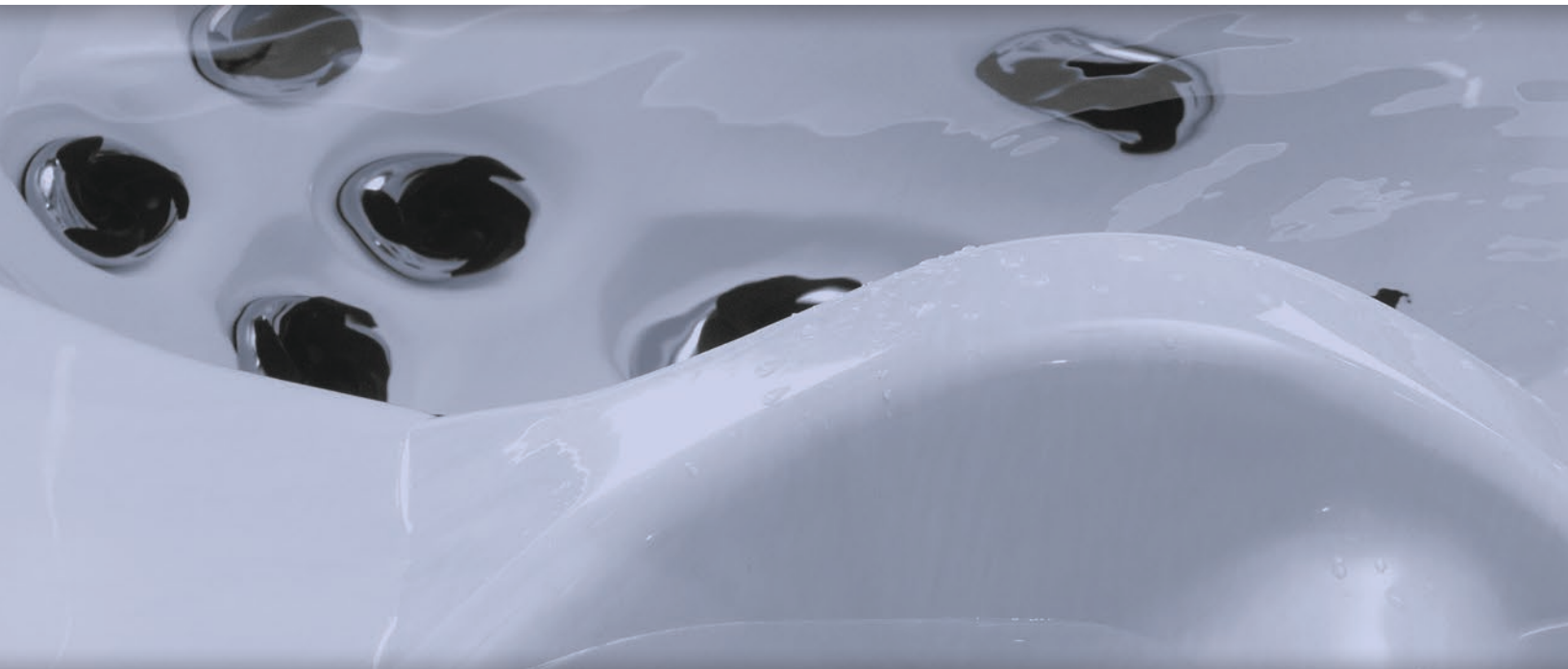
* 2 Pumps connect to the same Output (Out) using in.split-HC



Preloaded spa configurations, ID # 0602-221047, Software # 209 rev 1.0

Information between () indicates which in.link-HV port to use. See above drawing for port's position.

Config. #	Pump 1	Pump 2	Pump 3	Pump 4	Pump 5	Blower	Circ. Pump (CP)	Ozone	Filter Cycle (Daily)	Heater Pump
1	2 sp (Out 1)	1 sp (Out 2)				(Out 3)	24/7 (Out 4)		2 x 2 hours with P1L	Pump 1
2	2 sp (Out 1)	1 sp (Out 2)				(Out 3)	24/7 (Out 4)		2 x Purges	Circulation Pump
3	2 sp (Out 1)	1 sp (Out 2)				(Out 3)		(Out 4)	2 x 2 hours with P1L	Pump 1
4	2 sp (Out 1)	1 sp (Out 2)					(Out 3)	(Out 4)	2 x 6 hours with CP	Pump 1
5	2 sp (Out 1)	1 sp (Out 2)				(Out 3)	24/7 (Out 3)	(Out 4)	2 x 2 hours with P1L	Circulation Pump
6	2 sp (Out 1)	1 sp (Out 2)					(Out 3)	(Out 4)	2 x 6 hours with CP	Circulation Pump
7	2 sp (Out 1)	1 sp (Out 2)						(Out 4)	2 x 2 hours with P1L	Pump 1
8	2 sp (Out 1)					(Out 3)		(Out 4)	2 x 2 hours with P1L	Pump 1
9	2 sp (Out 1)							(Out 4)	2 x 2 hours with P1L	Pump 1
10	1 sp (Out 1)	1 sp (Out 2)				(Out 3)		(Out 4)	2 x 2 hours with P1	Pump 1
11	1 sp (Out 1)	1 sp (Out 2)					(Out 3)	(Out 4)	2 x 6 hours with CP	Pump 1
12	1 sp (Out 1)	1 sp (Out 2)					24/7 (Out 3)	(Out 4)	2 x purges	Circulation Pump
13	1 sp (Out 1)						24/7 (Out 3)	(Out 4)	2 x purges	Circulation Pump



Europe

Europe: +33 80 50 80 352

UK: +44 (0)800 060 8300

techsupport@geckoal.com

Canada

450 des Canetons, Quebec City QC G2E 5W6 Canada

Tel: 1.800.784.3256

techsupport@geckoal.com



GECKO DEPOT